



┌ BUTTERFLYVALVE

**WITH GROOVED ENDS
FOR COUPLINGS**



RVA #GE

COST SAVING ADVANTAGES

- Reduced installation time.
- No need for expensive special components.
- No welding and almost no bolts.
- Accomodates higher tolerances in pipe alignment.
- 2 valves in 1. Coupling/coupling or lug/coupling.
- Minimizes risk for wrong installation.
- Easy access for dismounting.
- Can be installed in any position.



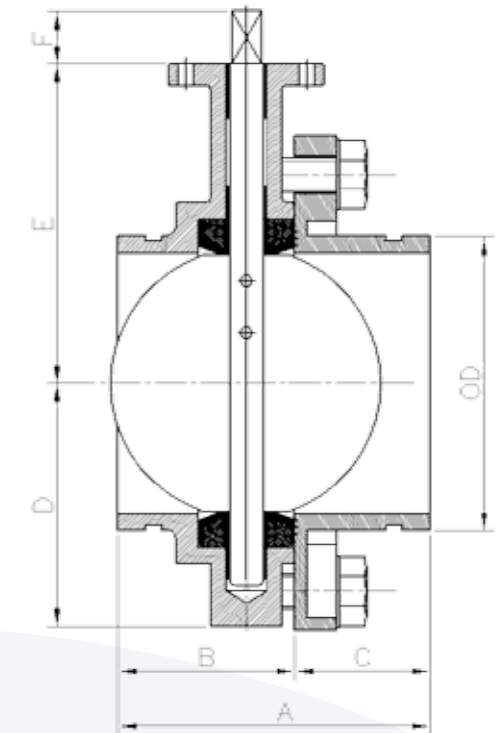
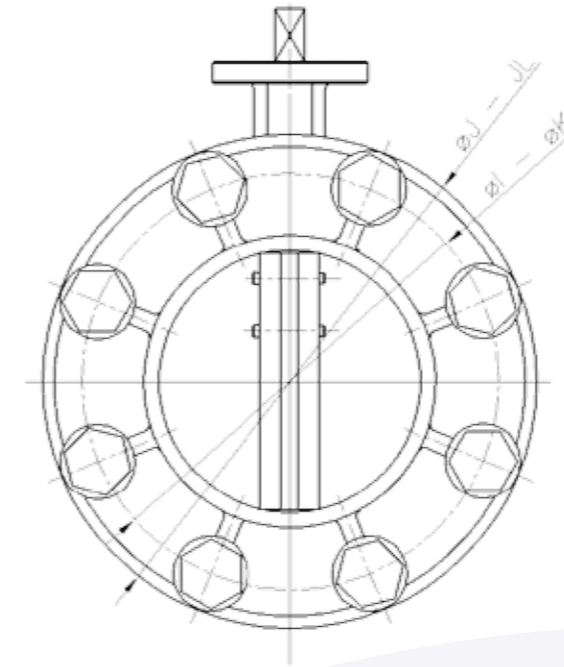
Valve body casted with one side standard full lug and one side with grooved end for couplings. The valve is delivered with an adapter flange mounted on the lug side. This version is intended for mounting via couplings on both sides.

- Patent pending

By removing the adapter flange the valve can be mounted as a standard lug valve on this side. The valve is class approved for ship side/overboard installation if mounted via lug side. The lug side makes it possible to install this valve on any component with fixed flanges. Further pipe connection via couplings.

RVA #GE

TECHNICAL DATA



DN	Pipe OD	A	B	C	D	E	F	G	H	I	J	K	L	Weight
								Shaft □		PN 10/16	PN 10/16	PN 25/40	PN 25/40	
DN 50	60,3 mm	133,3 mm	76,3 mm	57,0 mm	80 mm	124 mm	30 mm	11 x 11 mm	ISO F05/07	125 mm	165 mm	125 mm	165 mm	
DN 65	76,1 mm	138,6 mm	79,8 mm	58,8 mm	89 mm	134 mm	30 mm	11 x 11 mm	ISO F05/07	145 mm	185 mm	145 mm	185 mm	
DN 80	88,9 mm	139,1 mm	80,3 mm	58,8 mm	95 mm	141 mm	30 mm	11 x 11 mm	ISO F05/07	160 mm	200 mm	160 mm	200 mm	
DN 100	114,3 mm	153,4 mm	88,0 mm	65,4 mm	114 mm	156 mm	30 mm	14 x 14 mm	ISO F05/07	180 mm	220 mm	190 mm	230 mm	
DN 125	139,7 mm	161,9 mm	91,5 mm	70,4 mm	127 mm	168 mm	30 mm	14 x 14 mm	ISO F07	210 mm	250 mm	220 mm	265 mm	
DN 150	168,3 mm	172,0 mm	102,0 mm	70,0 mm	140 mm	184 mm	30 mm	17 x 17 mm	ISO F07	240 mm	285 mm	250 mm	300 mm	
DN 200	219,1 mm	185,0 mm	110,0 mm	75,0 mm	175 mm	213 mm	35 mm	17 x 17 mm	ISO F07/10	295 mm	340 mm	310 mm	355 mm	

Pressure class				
RVA 11/13GE	DN 50 - 150	PN 16	Flange drilling	PN 16
RVA 11/13GE	DN 200	PN 10	Flange drilling	PN 10
RVA 14GE	DN 50 - 150	PN 25	Flange drilling	PN 40
RVA 14GE	DN 200	PN 20	Flange drilling	PN 25

Materials	
Body & adapter flange	Ductile iron GGG 40.3 (EN-GJS-400-18)
Disc	Alu/Brz (C95800)
Shaft	AISI 316
Taper pins	Monel
Seat	RVA 11GE
	Seat in EPDM
	RVA 13GE
	Seat in NBR
	RVA 14GE
	Seat in NBR





Robinet AS was established in 1992 and has become a major supplier of valves and piping material to the to the Norwegian industry and Marine industry in particular.

Our extensive product range covering most types, standards, materials and

applications allows us to serve almost any requirement.

Our experienced staff with decades of knowledge from this industry are ready to help you with your day-to-day maintenance, newbuilding or retrofit project.

HOVEDKONTOR / MAIN OFFICE

ROBINET AS	Tlf.	+47 56 15 28 80
P.O. Box 41	Fax	+47 56 15 28 88
N-5327 Hauglandshella	E-mail	robinet@robinet.no

AVDELINGSKONTOR / BRANCH OFFICE

ROBINET AS	Tlf.	+47 70 00 90 50
Storehølvegen 30	Fax	+47 70 00 90 59
N-6065 Ulsteinvik	E-mail	ulsteinvik@robinet.no